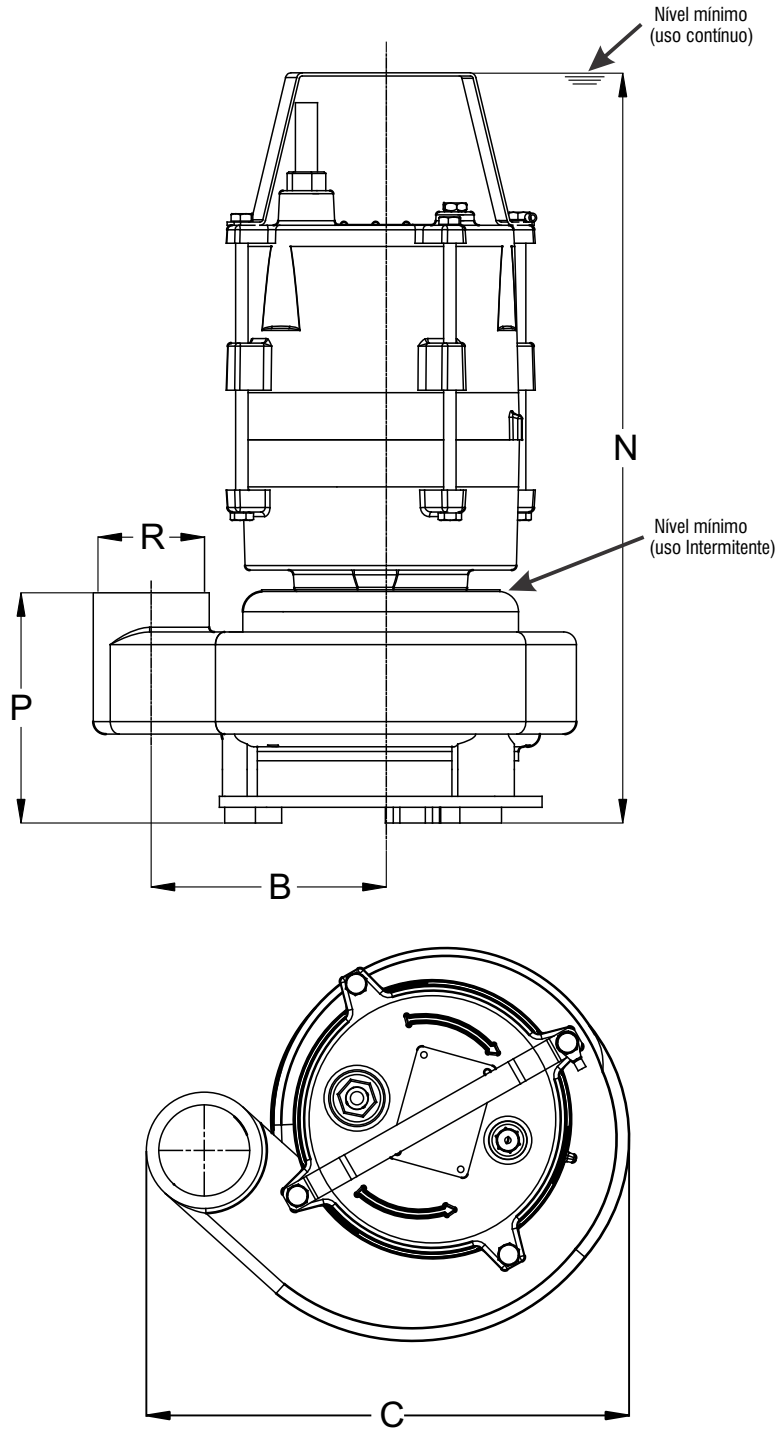


FBS Famac Bomba Submersível

Dimensional FBS Jacaré IP68



JAC

ROSCA	MODELOS FBS IP68		cv/hp	estágio	Ømm	rpm	Polegada	mm			Kg		
	Monof.	Trif.					R (BSP)	B	C	N	P	PESO	
											Monof.	Trif.	
	FBS-JAC 50	FBS-JAC-50	1/2	01	82	3500	2"	117	278	498	134	28,0	27,0
	FBS-JAC 50	FBS-JAC 50	1,0		96							30,0	29,0
	-	FBS-JAC 50	2,0		116							-	33,0
	-	FBS-JAC 50	3,0		127							-	37,5